

APPLICATION TIPS' SUMMARY SHEET #3

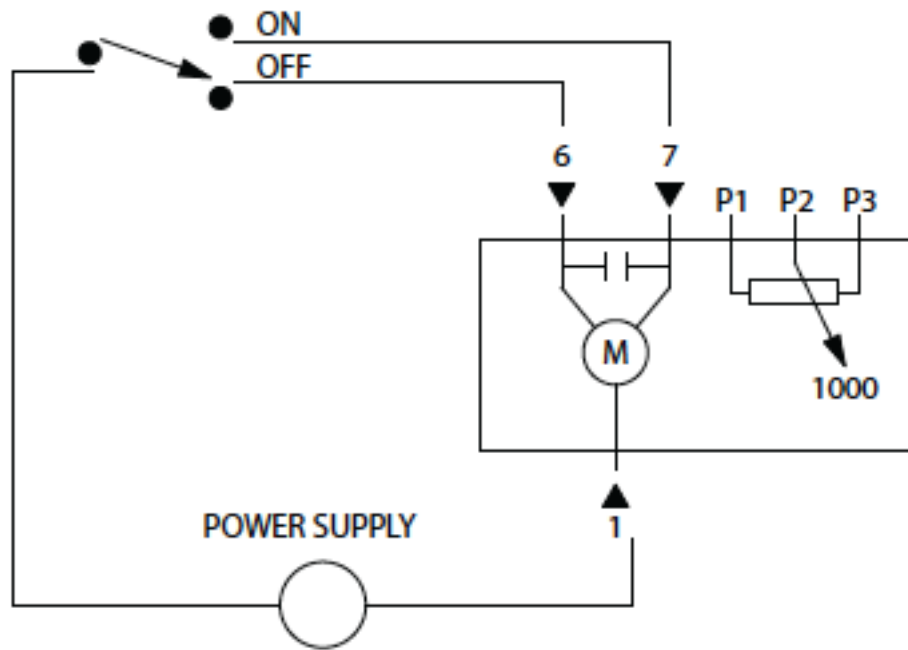
Hydronic Technology Solutions that *fit*

APPLICATION TIPS

Questions about this application?

Contact info@GriswoldControls.com or 949-559-6000

Converting 3-Point Floating actuator to on/off actuator



Form C, SPDT Relay

With more and more actuator manufacturers removing on/off control actuators from their product line, the Controls Contractor is forced to find ways to convert the standard three-point floating actuators (also called tristate) to on/off actuators (also called two position).

Griswold Controls has worked with Siemens to offer a solution with their GDE131.1P actuator.

The diagram above is the Siemens GDE131.1P wiring diagram.

The contractor will need to add a SPDT relay to their wiring system which costs less than \$5. This type of relay output is found on all building automation systems and allows a three-point floating actuator to work in place of an on/off actuator.

It will physically convert a three-point floating actuator with 3 wires to a two wire system. This solution is much less expensive than buying a true on/off actuator since most on/off actuators are also fail-safe and cost twice what a Siemens GDE131.1P.

Griswold Controls is
ISO 9001:2008
Certified

2803 Barranca Parkway
Irvine CA 92606
Phone 949 559-6000
Fax 949 559-6088
www.griswoldcontrols.com
info@griswoldcontrols.com

