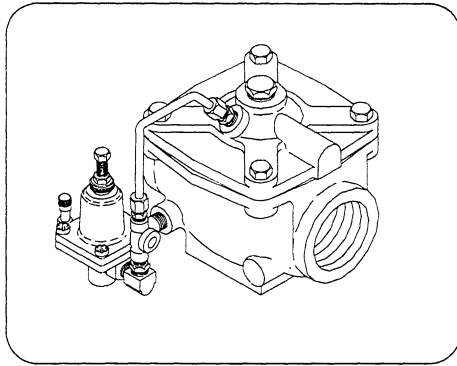


VALVE MODEL # 2280, 4280, 7280

PRESSURE REDUCING VALVE

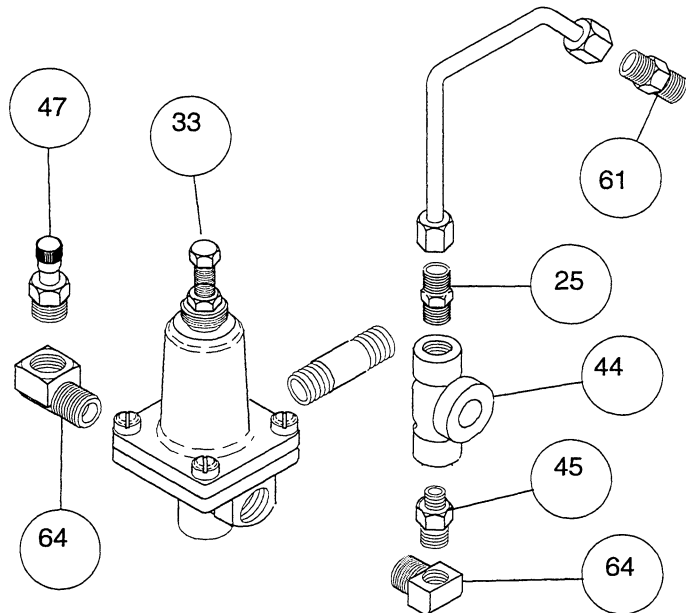
February, 1993



MODEL #

2280 - 4280 - 7280

For the above valves, use a Basic 4150 and these parts.....



INSTALLATION AND MAINTENANCE

1. Inlet pipe plug installed for straight pattern installation; for angle installation, re-install plug.
2. Flow direction must be as indicated on nameplate.
3. Valve must have minimum inlet pressure of 2 PSI (5 feet). If lower inlet pressure is required, consult factory.
4. Valve can be installed in any position.
5. Valve can be repaired without removing valve body from system.
6. To adjust downstream pressure adjust screw on regulator, part #33. To increase pressure turn adjustment screw clockwise. To decrease pressure turn adjustment screw counter clockwise.
7. Valve can be closed manually with manual on-off pilot. (item #44)
8. No normal maintenance is required.

TROUBLE SHOOTING

PROBLEM	PROBABLE CAUSE	CORRECTION
1. Downstream pressure too low.	Installed backwards.	Check flow arrow.
	Lack of operating pressure.	Make sure inlet is 2 PSI minimum.
	Optional manual flow adjustment stem fully closed.	Open stem.
	External obstruction in line, such as closed gate valve, etc.	Check other system elements.
	Internal foreign matter.	Remove cover, clean valve thoroughly.
	Restriction in copper tube, such as ends not de-burred or bend in tube.	Repair problem.
	If after long satisfactory service, check diaphragm assy. wear.	Eliminate other causes then replace assy.
2. Downstream pressure too high.	Manual on-off pilot closed.	Turn manual on-off pilot counter clockwise until open
	Ruptured diaphragm.	Replace diaphragm.
	Internal foreign matter.	Remove cover, clean valve thoroughly.
	Cover spring left out.	Add cover spring.
	Leak in control line.	check for leaks and repair.

GRISWOLD CONTROLS

2803 Barranca Parkway, P.O. Box 19612, Irvine, CA 92714
(714) 559-6000, FAX: (714) 559-6088

F-2455A

MODEL 2280, 4280 and 7280

The Griswold Model 2280, 4280 and 7280 valves consists of (1) a main valve, (2) a pressure regulating pilot, (3) a manual on-off pilot, and (4) a Schrader valve to allow for downstream pressure measurement.

The 2280, 4280 and 7280 valves are normally open solenoid valves. With its manual on-off pilot in the open position, the main valve remains open and supplies a constant downstream pressure with fluctuating or excessive downstream pressure. Desired downstream pressure may be set anywhere from 5 to 125 PSI.

These valves can be shut off by turning (clockwise) their manual on-off pilot valve.

REQUIRED TOOLS TO SET THE VALVE:

1. Adjustable or 1/2" open, box or socket wrench.
2. 0-150 psi gauge equipped with quick-connect fitting for attachment to tire type (Schrader) valve.

TO SET THE VALVE:

1. Remove the cap from the Schrader valve.
2. Attach the gauge kit to the Schrader valve.
3. Make sure that the manual on-off pilot valve is wide open by turning its handle counter clockwise all the way.
4. Open a valve downstream of the 2280, 4280, or 7280 valve to allow water to flow. If no flow occurs check for valves shut off upstream.
5. With water flowing through the valve, turn the adjusting screw on the regulating pilot until desired downstream pressure is observed on the gauge. Turning the adjusting screw "in" (clockwise) increases pressure; "out" (counter-clockwise) decreases pressure.

NOTE: If turning the adjusting stem clockwise does not increase downstream pressure, upstream pressure may be too low. Check upstream pressure under flowing conditions.

6. Disconnect gauge kit; place cap back on the Schrader valve. The 2280, 4280, or 7280 valve is now set for normal operation.

