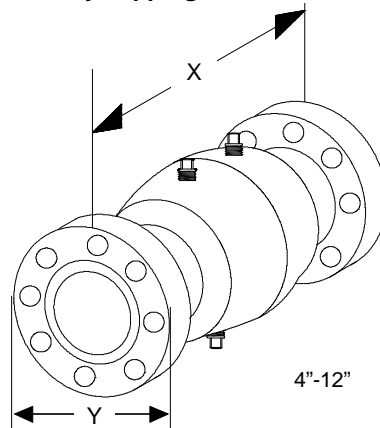


SPECIFICATIONS:

PSI / Temperature Rating: 265 PSIG / 400° F (See P/T Limit Chart)
Cartridge: AISI Type 304 stainless steel
 AISI Type 17-7 PH stainless steel spring
Body Material: 316 Stainless Steel
Seals: Viton O-Rings
Body Tappings: 1/4" NPT with Type 316 stainless steel plug



FLOW RATES (+/-5%)

SIZE	MODEL NO.	HEAD LOSS IN FEET ¹	PSID RANGE	GPM
1-1/2"	4SD1	3.5	1.5-14	3.0, 3.33, 4.00, 4.67, 5.33, 6.00, 6.67, 7.33, 8.00, 8.67, 9.33, 10.00, 10.67, 11.33, 12.00, 12.67, 13.33, 14.00, 14.67
	4SD2	7.4	3.2-32	4.5, 5.0, 6.0, 7.0, 8.0, 9.0, 10.0, 11.0, 12.0, 13.0, 14.0, 15.0, 16.0, 17.0, 18.0, 19.0, 20.0, 21.0, 22.0
	4SD4	13.4	5.8-57	6.00, 6.67, 8.00, 9.33, 10.67, 12.00, 13.33, 14.67, 16.00, 17.33, 18.67, 20.00, 21.33, 22.67, 24.00, 25.33, 26.67, 28.00, 29.33
	4SD8	30.0	13-128	9.0, 10.0, 12.0, 14.0, 16.0, 18.0, 20.0, 22.0, 24.0, 26.0, 28.0, 30.0, 32.0, 34.0, 36.0, 38.0, 40.0, 42.0, 44.0

TYPE OF CARTRIDGE:		STANDARD FLOW				
LINE SIZE	MODEL NO.	NOMINAL CONTROL RANGE (PSID)	1.5-20	3.2-32	5.8-57	13-128
		HEAD LOSS IN FEET ¹	3.0	7.4	13.4	30.0
		MIN. AVAILABLE GPM	14	17.5	23.33	35
		GPM INCREMENTS	2.0	2.5	3.33	5.0
3	4SF_	Maximum GPM	60	75	100	150
4	4SG_	Maximum GPM	180	225	300	450
6	4SH_	Maximum GPM	180	225	300	450
8	4SJ_	Maximum GPM	360	450	600	900
10	4SK_	Maximum GPM	480	600	800	1,200
12	4SL_	Maximum GPM	840	1,050	1,400	2,100

NOTES

¹ Head Loss in Feet is provided for pump head calculations. (1 PSI = 2.307 Feet of Water)
 Replaces form F-2722

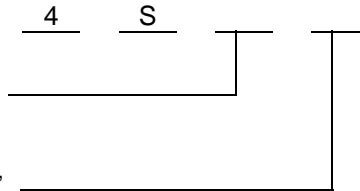


TYPE OF CARTRIDGE:		STANDARD FLOW HIGH CAPACITY		
LINE SIZE	MODEL NO.	NOMINAL CONTROL RANGE (PSID)	4-20	8-32
		MAX. PRES. DIFF. (PSI)	20	32
		HEAD LOSS IN FEET	9.2	18.4
		GPM INCREMENTS	20.0	25.0
3	4SF_	Minimum GPM	90	110
		Maximum GPM	130	160

DIMENSIONS & WEIGHTS (NOMINAL)

SIZE	MODEL NO.	X (LENGTH)	Y (WIDTH)	WEIGHT (LBS.)
1-1/2"	4S_	7.0	5.0	10
3"		7.3	7.5	43
4"		18.4	9.0	77
6"		13.8	11.0	88
8"		18.1	13.5	158
10"		18.2	16.0	200
12"		29.3	19.0	330

MODEL NUMBER SELECTION



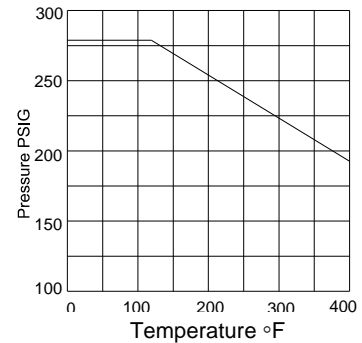
Insert "D" for 1-1/2", "F" for 3", "G" for 4",
"H" for 6", "J" for 8", "K" for 10", and "L" for 12"

Select a PSID control range (1=1.5-14 or 4-20,
2=3.2-32 or 8-32, 4=5.8-57, 8=13-128)

THREADED CFR: PRESSURE & TEMPERATURE LIMITS

This Pressure vs. Temperature chart can be used to determine if specific Griswold Constant Flow Regulator models and mountings are compatible with your application.

Please contact your local Representative or Griswold Controls for pressure and temperature requirements above and below the limits shown.



Replaces form F-2722

This specification © 2015 Griswold Controls

