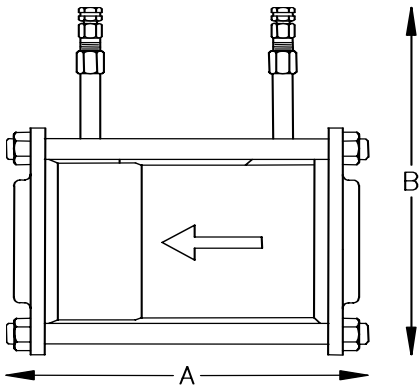


BRONZE VALVE BODY



SPECIFICATIONS

- PSI / Temperature Rating:** 250 PSI / 350° F
- Cartridge:** AISI Type 304 stainless steel
AISI Type 17-7 PH stainless steel spring
- Body Material:** Naval Bronze ASTM B61-922
- End Connections:** Female NPT
- Seals:** EPDM O-Rings
- Body Tappings:** 1/4" NPT with Brass P/T test valves
- Assembly:** Valve comes fully assembled.
Pressure/temperature extensions are shipped loose

FLOW RATES (+/- 5%)

SIZE	MODEL NO.	HEAD LOSS IN FEET ¹	PSID RANGE	GPM			HEAD LOSS IN FEET ¹	PSID RANGE	HIGHER FLOW RATES/ NO INCREMENTS
				MIN.	INCREMENT	MAX			
1-1/2", 2", 2-1/2"	3541_J	3.5	1.5-20	14.0	2.0	60	9.2	4-20	90, 110, 130
	3542_J	7.4	3.2-32	17.5	2.5	75	18.4	8-32	110, 135, 160
	3544_J	13.4	5.8-57	23.33	3.33	100	NONE		
	3548_J	30.0	13-128	35.0	5.0	150			

DIMENSIONS & WEIGHTS (NOMINAL)

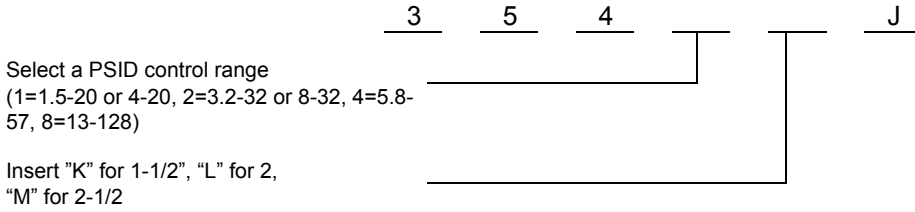
SIZE	MODEL NO.	A LENGTH	B HEIGHT	WEIGHT (LBS.)
1-1/2"	354_	9.25	10.25	19
2"		9.25		19
2-1/2"		10.25		19

NOTES

¹ Head Loss in Feet is provided for pump head calculations. (1 PSI = 2.307 Feet of Water)
Replaces form F-4041C



MODEL NUMBER SELECTION²



NOTES

² Model no. and flow rate are indicated on label affixed to body.

Replaces form F-4041C

This specification © 2005 Griswold Controls