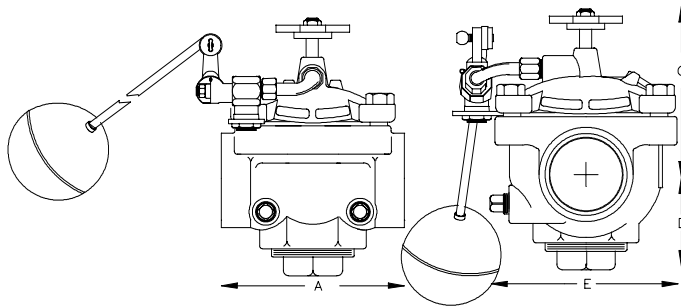


NON-MODULATING



SPECIFICATIONS:

<b>Operating Pressure:</b>	200 PSI
<b>Pressure Accuracy:</b>	+/- 5%
<b>Housing Material:</b>	ASA Cast Iron ASTM A-48
<b>Diaphragm &amp; Disc Material:</b>	Buna N
<b>Cover Material:</b>	Bronze
<b>Float Rod:</b>	12" Long
<b>End Connections:</b>	NPT (BSP Optional)
<b>Assembly:</b>	Valve comes fully assembled

DESCRIPTION:

- Slow Closing
- Float Pilot May be Mounted Remote from Main Valve
- Mechanically Self-Cleaning Internal Control System
- "No Surge or Hammer" Operation
- Operates on Extremely Low Flows
- Will Throttle Against Flow Without Chatter
- Diaphragm-Disc Assembly Guided by Stainless Steel Stem in all Positions
- Completely Serviceable Without Removing Valve Body from the System
- Manual Flow Rate Adjustment Stem Can Be Used to Flush Internal Mechanism

DIMENSIONS & WEIGHTS (NOMINAL)

SIZE	MODEL NO.	A LENGTH	C	D	E WIDTH
1"	4190H	4.5	4.1	1.8	4.5
1-1/4"	4190J	4.5	4.1	1.8	4.5
1-1/2"	4190K	7.0	6.0	2.4	5.5
2"	4190L	7.0	6.0	2.4	6.5
2-1/2"	4190M	7.8	6.3	4.3	6.5
3"	4190N	8.3	6.5	4.5	6.5

PRESSURE LOSS (PSI) AT VARIOUS FLOWRATES

SIZE	FLOW PATTERN	FLOWRATE (GPM)																																				
		10	15	20	25	30	35	40	45	50	55	60	65	70	80	90	100	120	140	160	180	200	225	250	275	300	325	350	375	400								
1	STRAIGHT	.55	1.24	2.2	3.4	5.0	6.7	8.8	11.1	13.7	16.6	19.7																										
	ANGLE	.43	.96	1.7	2.7	3.9	5.2	6.8	8.7	10.7	12.9	15.4																										
1-1/4"	STRAIGHT	.36	.82	1.5	2.3	3.3	4.5	5.8	7.4	9.1	11.0	13.1	15.3	17.8																								
	ANGLE	.32	.71	1.3	2.0	2.8	3.9	5.1	6.4	7.9	9.6	11.4	13.3	15.5																								
1-1/2"	STRAIGHT	.59 .93 1.3 1.8 2.4 3.0 3.7 4.5 5.0 5.4 7.3 9.5 12.0 14.8																																				
	ANGLE	.48 .74 1.1 1.5 1.9 2.4 3.0 3.6 4.3 5.9 6.3 7.6 9.7 11.9																																				
2"	STRAIGHT	1.6 1.8 2.4 3.0 3.7 5.3 7.3 9.5 12.0 14.8																																				
	ANGLE	1.3 1.5 2.0 2.5 3.1 4.5 6.1 7.9 10.0 12.3																																				
2-1/2"	STRAIGHT	1.0 1.2 1.5 1.9 2.4 3.4 4.6 6.1 7.7 9.5 12.0 14.8 17.9 21.3																																				
	ANGLE	.8 .9 1.2 1.6 1.9 2.8 3.8 4.9 6.3 7.7 9.8 12.0 14.6 17.4																																				
3"	STRAIGHT	.6 .7 .9 1.2 1.5 2.1 2.8 3.7 4.7 5.8 7.3 9.1 11.0 13.1 15.3 17.8 20.4 23.2																																				
	ANGLE	.5 .6 .8 1.0 1.2 1.7 2.3 3.0 3.8 4.7 6.0 7.4 8.9 10.6 12.5 14.5 16.6 18.9																																				

Replaces form F-4084A

This specification © 2005 Griswold Controls

2803 Barranca Parkway, Irvine, CA 92606  
 (949) 559-6000 Fax (949) 559-6088  
 www.GriswoldControls.com

12/05  
 F-4084B



**MODEL NUMBER SELECTION**

4	1	9	0	

Select a Size (1"=H, 1-1/4"=J, 1-1/2"=K, 2"=L, 2-1/2"=M, 3"=N)

**OPTIONS**

- Remote Float Pilot Assembly (Model Number 4210) and Main Valve (Model Number 4170)
- Float Pilot Assembly for direct tank mounting (Model Number 4210S) and Main Valve (Model Number 4170)