

**SPECIFICATIONS:**

**Operating Pressure:** 2 to 200 PSI  
**Voltage Operating Range:** 22-28 VAC  
**Low Current Requirement:** 0.10 A at 24 VAC  
**Assembly:** Valve comes fully assembled

**MATERIALS**

**End Connections:** Flanged 150 ANSI  
**Stem, Nut & Spring:** Stainless Steel  
**Diaphragm:** Nylon-Reinforced Buna-N  
**Disc:** Buna-N  
**Disc Retainer:** Cast Iron  
**Diaphragm Washer:** Cast Iron  
**Disc Guide Seat:** Bronze  
**Cover Bearing:** Bronze

**DIMENSIONS & WEIGHTS (NOMINAL)**

SIZE	MODEL NO.	A (IN)	B (IN)	C (IN)	D (IN)	APPROX SHIP WT IN LBS
4"	2030P	10.62	4.50	15.00	15.50	140
6"	2030Q	13.38	5.50	20.00	19.75	280
8"	2030R	16.00	6.75	25.38	24.00	500

**PRESSURE LOSS (PSI) AT VARIOUS FLOWRATES**

SIZE	FLOWRATE (GPM)																										
	100	200	300	400	500	600	700	800	900	1000	1100	1200	1300	1400	1500	1600	1700	1800	1900	2000	2100	2200	3000	3100	3200	3300	3400
4"	1.0	2.3	4.0	6.3	9.0	12.3	16.0	20.3																		CONSULT WITH FACTORY	
6"	USE 1 PSI			0.8	1.2	1.7	2.3	3.0	3.8	4.7	5.7	6.8	8.0	9.3	10.6	12.1	13.7	15.3	17.1	18.9	20.8	IN THIS RANGE					
8"	DROP IN THIS RANGE						0.8	1.1	1.4	1.7	2.0	2.4	2.9	3.3	3.8	4.3	4.9	5.5	6.1	6.7	7.4	8.2	15.2	16.2	17.3	18.4	19.5

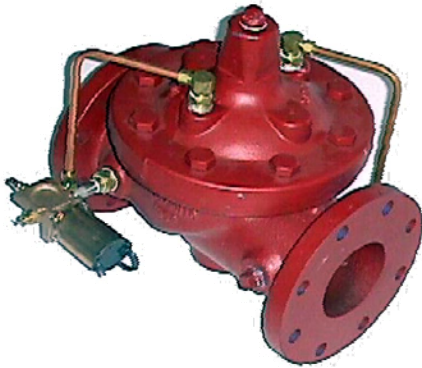
**APPLICATIONS**

The 2030 Pressure Reducing Solenoid Valve offers maximum performance combined with the reliability you have come to expect from Griswold Controls. The valve is intended for use in medium to large irrigation systems and its low power consumption solenoid makes it the ideal choice for areas needing remote wiring.

MODEL NUMBER SELECTION

2	0	3	0
---	---	---	---

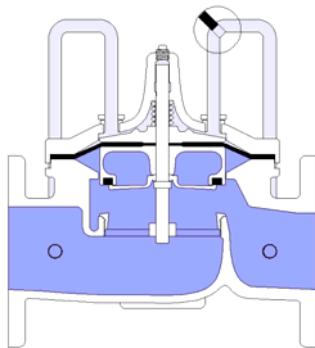
Select a size (4"=P, 6"=Q, 8"R)



DESCRIPTION:

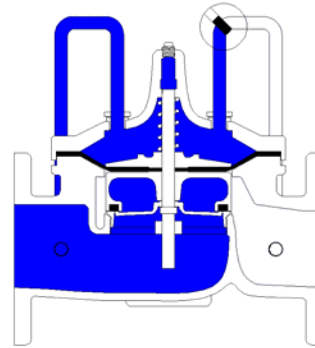
- Normally Closed: Energize Solenoid to Open Valve, De-Energize to Close Valve
- On/Off Solenoid Control Valve
- Watertight Epoxy Molded Solenoid Coil
- Lightning Protected
- Slow Closing
- "No Surge or Hammer" Operation
- Will Throttle Against Flow Without Chatter
- Diaphragm-Disc Assembly Guided by Stainless Steel Stem in all Positions
- Completely Serviceable Without Removing Valve Body from the System

THEORY OF OPERATION



FULL OPEN OPERATION

When pressure in the cover chamber is relieved to a zone of lower pressure, the line pressure at the valve inlet opens the valve, allowing full flow.



TIGHT CLOSING OPERATION

When pressure from the valve inlet is applied to the cover chamber, the valve closes drip-tight.