

Space Saver PIC-V™

Space Saver Pressure Independent Control Valve Variable Cv without balancing

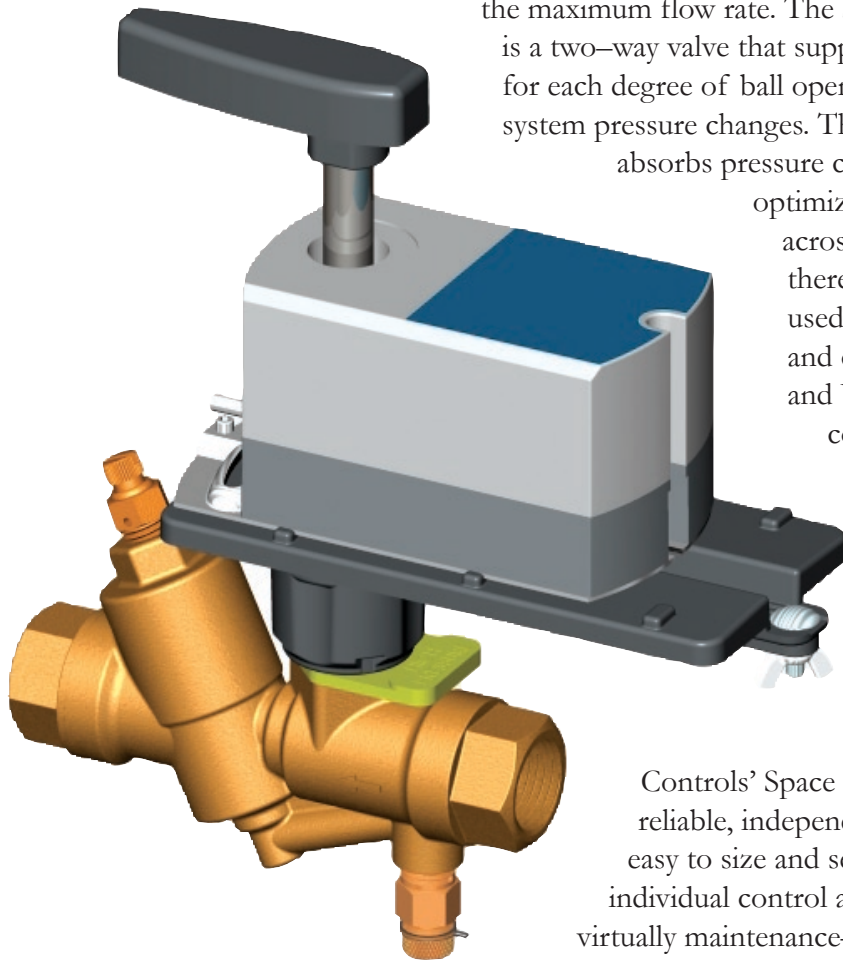
Griswold Controls' Space Saver PIC-V™ Pressure and Temperature Control Valve eliminates the need for balancing, provides everything an engineer, contractor, or building owner could want in an automatic flow control valve.

It accurately maintains flow control regardless of pressure fluctuations, providing balancing at any point below and including the maximum flow rate. The Space Saver PIC-V™ is a two-way valve that supplies a specific flow for each degree of ball opening, regardless of system pressure changes. The pressure regulator

absorbs pressure changes before and after the

optimized ball portion, so the differential pressure across the optimized ball remains constant, therefore maintaining a constant flow rate. It can be used to regulate flow through air handlers, heating and cooling coils, fan coil units, unit ventilators, and VAV re-heat coils. A multi-function valve consisting of a control valve and pressure compensating diaphragm cartridge assembly, the Space Saver PIC-V™ combines the balancing valve and the control valve into one compact package. The Space Saver PIC-V™ provides consistent flow control over its entire pressure range. We offer flow rates from one GPM to fifty five GPM. Griswold

Controls' Space Saver PIC-V™ offers reliable, independent control in a valve that is easy to size and select, eliminates the need for individual control and balancing components, is virtually maintenance-free, and simplifies piping.



Contact Info:

Space Saver PIC-V™: The Perfect Temperature Control Valve

Blow-Out-Safety-Retainer/ Replaceable Stem:

Actuator ball stem can be easily and safely replaced while the valve is installed in the pipe line.

Actuator and Plate Can Be Rotated After Mounting:

Allows for installation in confined spaces. Makes wiring the actuator easier.

Manual Operating Handle:

Valve can be operated in the event of a power failure.

Patented Seal and O-Rings:

Reduce torque required to rotate ball (less than 35 in-lbs), reducing actuator size. U.S. Patent #6,948,699.

Manual Air Vent:

Allows air to be vented.

Diaphragm Pressure Compensating Cartridge:

Spring and diaphragm move according to pressure differential maintaining a constant pressure drop across the ball.

Positive Shut Off:

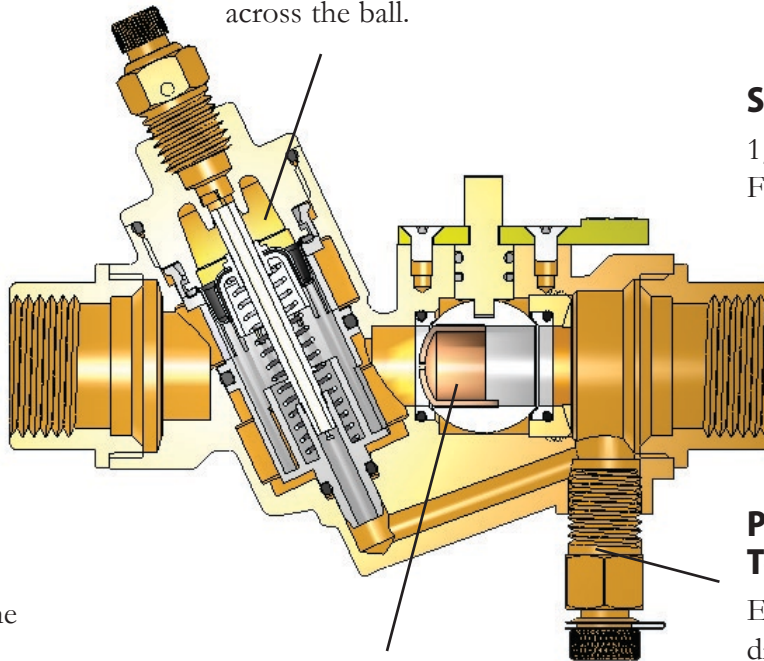
Accurate control of fluid through coils.

Plastic Mounting Plate, Extensions and Handle:

Do not corrode in chilled water applications. Reduce heat transfer to actuator in hot water applications.

Sizes available:

1/2" to 3"
Flow rate: 1.5 to 55 GPM



Pressure/Temperature Test Port:

Enable easy pressure differential readings across coil.

Patented Optimizer™ Parabolic Flow Insert:

Provides Equal Percentage Control and limits the flow to zone set point with +/- 5% accuracy. No Cv sizing is required. U.S. Patent #5,937,890.

Universal Mounting Plate:

One mounting plate can be used with all manufacturers' actuators.

01/06
F-5364

2803 BARRANCA PARKWAY · IRVINE · CA 92606 · PHONE 800-838-0858 · FAX 800-543-8662 · www.griswoldcontrols.com