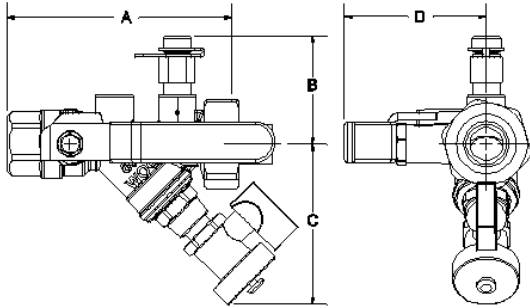
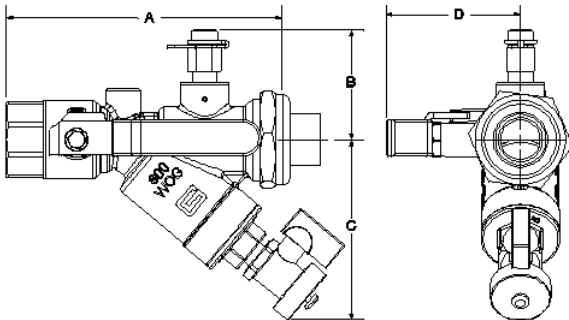


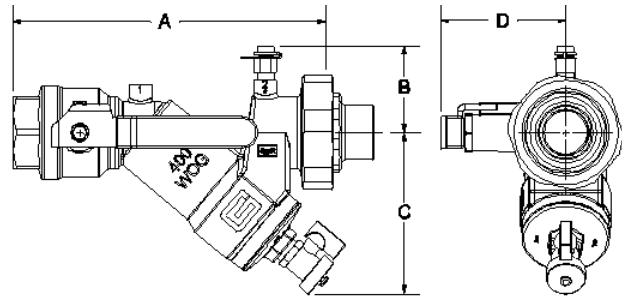
**1/2" & 3/4" Housing**



**1" - 1-1/2" Housing**



**2" - 3" Housing**



**SPECIFICATIONS:**

<b>PSI/Temperature Rating:</b>	1/2"-1-1/2": 400 PSI/250° F 1-1/2"L-3": 275 PSI/250° F
<b>Body Material:</b>	1/2"-1-1/2": Forged Brass ASTM B283-06 1-1/2"L-3": Cast brass
<b>End Connections:</b>	Brass – NPT
<b>Ball Valve Seals:</b>	Teflon
<b>Union Seal:</b>	EPDM O-Ring
<b>Ball Valve:</b>	Nickel-plated brass ball
<b>Field Repairable Stem:</b>	Dual Teflon seals and EPDM O-ring
<b>Strainer:</b>	100 mesh stainless steel <sup>1</sup>
<b>Assembly:</b>	Valve comes fully assembled

**DIMENSIONS & WEIGHTS (NOMINAL)**

SIZE	PART NUMBER	A	UNION END <sup>2</sup>	B	C	D	WEIGHT (LBS.)
1/2"	9671-129	3.9	1.0	1.9	2.9	2.5	0.9
3/4"	9671-130	3.9	1.0	1.9	2.9	2.5	0.9
1"	9671-131	5.4	1.0	2.2	3.6	2.6	2.3
1"	9671-190	5.4	1.0	2.2	3.6	2.6	2.3
1-1/4"	9671-132	7.6	1.7	2.5	3.1	3.1	5.0
1-1/2"	9671-133	7.5	1.7	2.5	3.1	3.1	5.0
2"	9671-134	9.3	2.0	2.6	3.7	3.7	8.8
2-1/2"	9671-135	11.1	N/A	2.9	4.0	4.0	12.4
3"	9671-136	11.3	N/A	2.9	4.0	4.0	12.4

**PRESSURE LOSS (PSI) AT VARIOUS FLOWRATES<sup>3</sup>**

SIZE	Cv	FLOWRATE (GPM)																								
		5	10	15	20	25	30	35	40	44	50	55	60	65	70	80	90	100	120	140	160	180	200	225	250	
1/2"	4.7	1.1	4.5	10.2	18.1																					
3/4"	4.7	1.1	4.5	10.2	18.1																					
1"(100 mesh)	9.1	0.3	1.2	2.7	4.8	7.5	10.9	14.8	19.3																	
1"(200 mesh)	6.4	0.6	2.5	5.5	9.9	15.4	22																			
1-1/4"	24.6				0.7	1.0	1.5	2.0	2.6	3.2	4.1	5.0	5.9	7.0	8.1	10.6	13.4	16.5	23.8							
1-1/2"	24.6				0.7	1.0	1.5	2.0	2.6	3.2	4.1	5.0	5.9	7.0	8.1	10.6	13.4	16.5	23.8							
2"	35					0.5	0.7	1.0	1.3	1.6	2.0	2.5	2.9	3.4	4.0	5.2	6.6	8.2	11.8	16.0	20.9	26.4				
2-1/2"	60										0.7	0.8	1.0	1.2	1.4	1.8	2.3	2.8	4.0	5.4	7.1	9.0	11.1	14.1	17.4	
3"	60											0.7	0.8	1.0	1.2	1.4	1.8	2.3	2.8	4.0	5.4	7.1	9.0	11.1	14.1	17.4

**NOTES**

<sup>1</sup> 200 mesh stainless steel strainer available as an option for 1" valve.  
<sup>2</sup> For overall length, add union end connection length to body length.  
<sup>3</sup> Pressure drop based on a clean strainer.