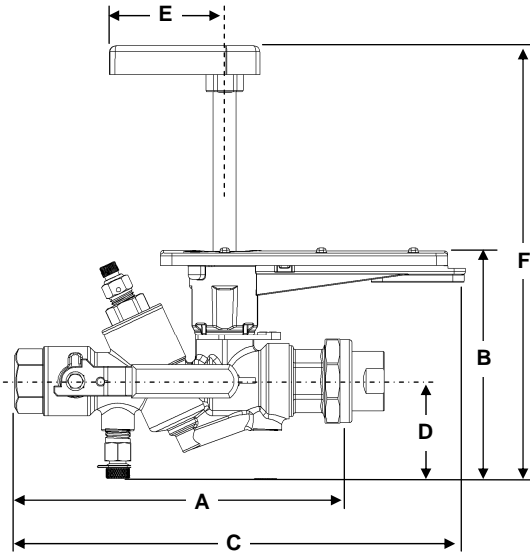


PRESSURE INDEPENDENT CONTROL VALVE

SPECIFICATIONS



- Static Pressure:** 360 PSI
- Temperature Range:** -22°F to 250°F
- Service:** Chilled water, hot water, up to 50% Glycol, or contact factory for additional fluids.
- Flow Optimizer:** Glass Filled Polymer
- Body Material:** Forged Brass ASTM B283-06
- End Connections:** Brass
- Stem:** Brass
- Stem Seals:** EPDM O-Rings
- Ball Valve:** Nickel-plated brass ball
Optional: Stainless Steel ball
- Field Repairable Stem:** Dual Teflon seals and EPDM O-ring
- Ball Seals:** Teflon Seals with EPDM O-Rings
- Accessories:** Combination P/T Test Valve and Manual Air Vent (CPTA) Standard

NOTE: The PIC-V is available with fixed x fixed ends or fixed x union ends. (fixed by union shown)

DIMENSIONS & WEIGHTS (NOMINAL) (measured in inches/lbs. unless noted)

SIZE	A: LENGTH ¹		UNION CONNECTION ²			B HEIGHT	C LENGTH ¹	D HEIGHT	E HANDLE	F HEIGHT	DEPTH (NOT SHOWN)	WEIGHT
	Fixed x Fixed	Fixed x Union	FNPT	MNPT	SWT							
1/2"	6.7	7.9	1.0	1.0	0.7	5.3	9.6	2.5	2.5	9.9	4.1	3.3
3/4"	6.7	7.9	1.0	1.0	0.9		9.6					
1"	6.9	8.0	N/A ³	1.4	1.3		9.7					
1"L	10.4	10.6	1.7	1.7	1.7	6.0	12.3	2.7	2.5	10.7	5.0	7.8
1-1/4"	9.8	10.3	1.7	1.7	1.7		12.0					
1-1/2"	9.6	10.2	1.7	1.7	1.4		11.9					
1-1/2"L	11.9	12.6	1.6	1.6	1.7	7.1	14.0	3.5	2.5	11.8	6.0	15.2
2"	11.8	12.5	N/A ³	1.6	1.6		13.9					
2-1/2"	12.8	N/A	N/A	N/A	N/A	6.6	14.0	3.1	2.5	11.4	5.0	16.0
3"	13.0	N/A	N/A	N/A	N/A		14.3					

NOTES:

¹ Length measured with fixed end FNPT; SWT end connection may be longer.
² For overall length, add union connection length to Fixed x Union body length.
³ Tailpiece is not available for this size. Male tailpiece used with coupling.

Replaces form F-4477

This specification © 2012 Griswold Controls

HIGH LIMIT FLOW RATES (+/-5%)

To correctly size your valve, select a high limit flow rate that is equal to or greater than the required flow rate.

SIZE	MODEL NO.	PSID RANGE	HEAD LOSS IN FEET ⁴	CLOSE-OFF PSID	GPM
1/2", 3/4", 1"	PICV0	3-35	6.9	100	1.0, 2.0, 3.0, 4.0, 5.0, 6.0, 7.0
3/4", 1"		6-35	13.8		8.0, 9.0, 10.0, 11.0, 15.0
1"L, 1-1/4", 1-1/2"	PICV1	4-50	9.2		10, 15, 20
		5-50	11.5		25, 30
1-1/4", 1-1/2"	PICV2	6.5-50	14.9		35
		4-58	9.2		25, 30, 35
1-1/2"L, 2", 2-1/2", 3"	PICV2	6-58	13.8		40, 45, 50
		7-58	16.1		55, 60, 65, 70, 75, 80, 85
2", 2-1/2", 3"	PICV2	11-58	25.3		95

MODEL NUMBER SELECTION

P I C V

Select a Housing Size: 0=1/2"-1",
1=1" 1-1-1/2" 2=1-1/2"-3"

Select Ball and Stem Package (P=Plated
Ball, S=SS Ball and Stem)

Valve	FIXED END OR UNION END ⁵		UNION END ONLY ⁹
	Female Threaded	Female Sweat	Male Threaded
PICV0	1/2"=E, 3/4"=F, 1"=G ⁶	3/8"=K', 1/2"=L, 3/4"=M, 1"=N	1/2"=H, 3/4"=I, 1"=J
PICV1	1"=G, 1-1/4"=P, 1-1/2"=Q	1"=N, 1-1/4"=K, 1-1/2"=W	1/2"=H, 3/4"=I, 1"=J, 1-1/4"=S, 1-1/2"=T
PICV2	1-1/4"=P ⁷ , 1-1/2"=Q, 2"=R ⁸ , 2-1/2"=S ⁸ , 3"=T	1-1/4"=K ⁷ , 1-1/2"=W ⁹ , 2"=Y	1"=J, 1-1/4"=S, 1-1/2"=T, 2"=U

For fixed end by fixed end fill in 2nd digit with an "X"

SIZE	MODEL NO.	FLOWS
1/2", 3/4", 1"	PICV0	1.0, 2.0, 3.0, 4.0, 5.0, 6.0, 7.0
3/4", 1"		8.0, 9.0, 10.0, 11.0, 15.0
1"L, 1-1/4", 1-1/2"	PICV1	10, 15, 20
		25, 30
1-1/4", 1-1/2"	PICV2	35
		25, 30, 35
1-1/2"L, 2", 2-1/2", 3"	PICV2	40, 45, 50
		55, 60, 65, 70, 75, 80, 85
2", 2-1/2", 3"	PICV2	95

T= Optional
3" x 3"
Aluminum
Hanging ID Tag

Insulation Option¹⁰
(0=No. 1=1-1/2". 2=2")

Insert Actuator Model Number. If Actuator is supplied by others, insert "1" for Neptronic, "2" for Johnson Controls, "3" for Invensys, "4" for Honeywell, "5" for Siemens, "6" for Belimo, "7" for KMC Controls

NOTES:

- ⁴ Head loss in feet is required for pump head calculations. (1 PSI = 2.307 feet of water).
- ⁵ Select the fixed end first and the union end second.
- ⁶ Tailpiece not available for this size. Male tailpiece used with coupling.
- ⁷ Fixed end not available for this size. Union tailpiece only.
- ⁸ 2-1/2" and 3" is available only with fixed ends.
- ⁹ Sweat Fixed end not available for this size.
- ¹⁰ Insulation Option only available on 1/2" to 1-1/2" models. Not available for 1-1/2"L, 2", 2-1/2" and 3" models.

Replaces form F-4477

This specification © 2012 Griswold Controls