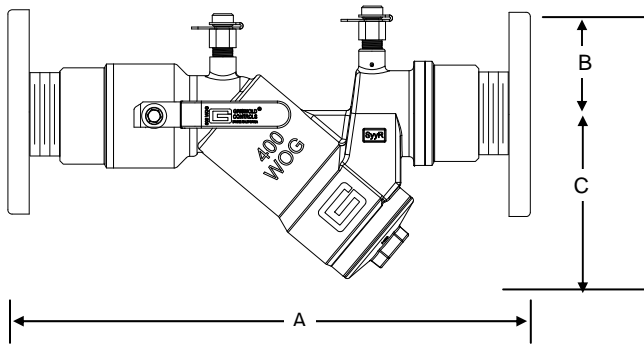


# AUTOMATIC FLOW CONTROL 2 1/2"–3" FLANGE/GE ISOLATOR™"R"

## ACCESSIBLE CARTRIDGE



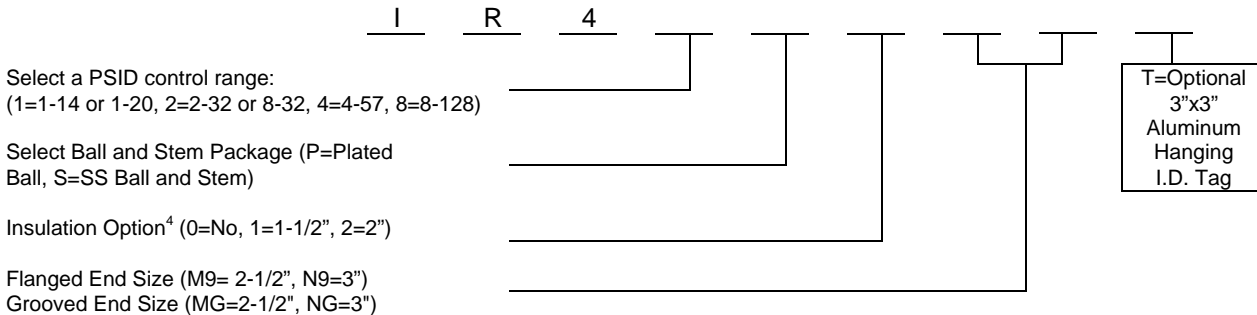
### SPECIFICATIONS:

<b>PSI/Temperature Rating:</b>	2-1/2"–3": 275 PSI / 250°F
<b>Cartridge:</b>	AISI Type 304 stainless steel AISI Type 17-7 PH stainless steel spring
<b>Body Material:</b>	Cast brass
<b>End Connections:</b>	Carbon Steel Raised Face Flange, Class 150, ANSI B16-5 (Grooved End connections available)
<b>Ball Valve Seals:</b>	Teflon
<b>Union Seal:</b>	EPDM O-Ring
<b>Body Tappings<sup>1</sup>:</b>	Two Combination P/T Test Valve and Manual Air Vent (CPTA)
<b>Ball Valve:</b>	Nickel-plated brass ball Optional: Stainless Steel ball
<b>Field Repairable Stem Assembly:</b>	Dual Teflon seals and EPDM O-ring Valve comes fully assembled

### DIMENSIONS & WEIGHTS (NOMINAL)

SIZE	A	B	C	D Depth	Cv <sup>2</sup>	WEIGHT (LBS.)
2-1/2"	15.4	3.5	5.9	4.0	75	26.9
3"	16.3	3.8	5.9			30.1

### MODEL NUMBER SELECTION<sup>3</sup>



### FLOW RATES (+/-5%)

SIZE	MODEL NO.	HEAD LOSS IN FEET <sup>5</sup>	PSID RANGE	GPM			HEAD LOSS IN FEET <sup>5</sup>	PSID RANGE	HIGHER FLOW RATES/ NO INCREMENTS
				MIN.	INCREMENT	MAX			
2-1/2", 3"	IR41__	3.5	1-20	14.0	2.0	60	9.2	4-20	90, 110, 130
	IR42__	7.4	2-32	17.5	2.5	75	18.4	8-32	110, 135, 160
	IR44__	13.4	4-57	23.33	3.33	100	NONE		
	IR48__	30.0	8-128	35.0	5.0	150			

### NOTES

- <sup>1</sup> Body Tappings for accessories are a leak proof metal to metal seal and do not require pipe dope or tape. Tape or dope should not be used.
- <sup>2</sup> Cv's are based on housing without cartridge.
- <sup>3</sup> Model no. and flow rate are indicated on label affixed to body.
- <sup>4</sup> Insulation Option includes handle cover and Accessory extensions.
- <sup>5</sup> Head Loss in Feet is provided for pump head calculations. (1 PSI = 2.307 Feet of Water)

This specification © 2012 Griswold Controls

2803 Barranca Parkway, Irvine, CA 92606  
(949) 559-6000 Fax (949) 559-6088  
www.GriswoldControls.com



11/12  
F-5530A