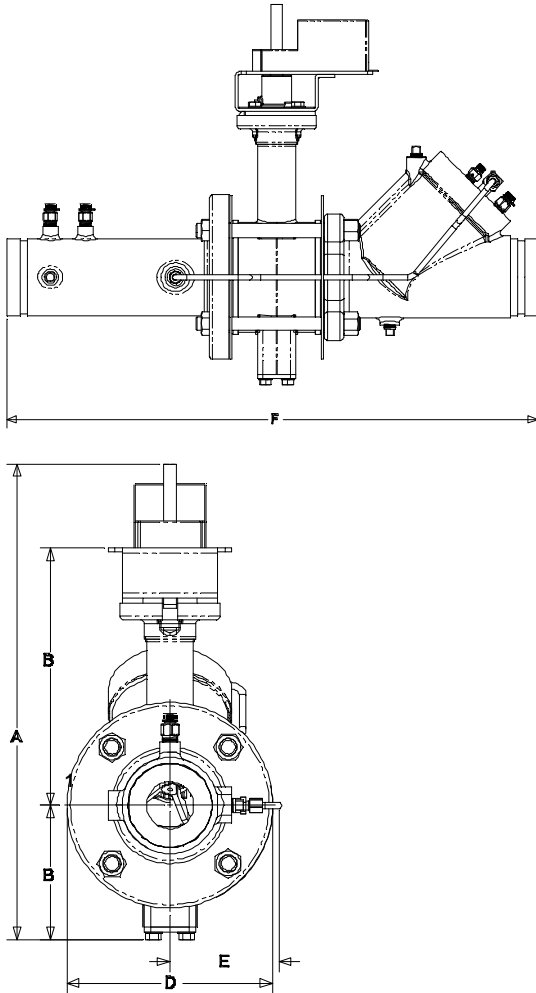


**PRESSURE INDEPENDENT MODULE
ACTUATED BALL VALVE
METERING STATION**



SPECIFICATIONS

- PSI/Temperature Rating:** 240 PSI / 250 ° F
Service: Chilled water, hot water, up to 50% Glycol, or contact factory for additional fluids.
Body Material: Cast Iron ASTM A395, 60-40-18
Pipe: Copper
Connections: Grooved End or Flanged (Flanged valve includes grooved to flange adapters that are compatible with ANSI B 16.5-1968 150 lb. Steel flanges)
Cartridge: AISI Type 304 stainless steel
O-rings: EPDM
Stem: Stainless Steel
Stem Seals: EPDM O-Rings
Ball Valve: Stainless Steel
Ball Seals: Teflon Seals
Angle of Rotation: 0–90°
Accessories: Combination P/T Test Valve and Manual Air Vent (CPTA) Standard

DIMENSIONS & WEIGHTS (NOMINAL) (measured in inches/lbs. unless noted)

SIZE	A HEIGHT	B1 HEIGHT	B HEIGHT	D FLANGE DEPTH	E DEPTH	F LENGTH	WEIGHT
3" FxF	18.1	9.4	4.9	7.5	4.2	24.2	65.0
3" GxG							54.0
4" FxF	18.8	9.7	5.3	9.0	4.9	31.0	123.0
4" GxG							108.0
6" FxF	19.6	10.1	5.7	11.0	6.1	37.4	204.0
6" GxG							184.0

FLOW RANGE (+/-5%)

SIZE	PSID RANGE	MAX GPM	CLOSE OFF PRESSURE
3"	6-60	127	60
	7-60	139	
	8-60	165	
4"	7-60	230	
	9-60	309	
	12-60	365	
6"	4-60	350	
	4.5-60	420	
	3-60	505	

MODEL NUMBER SELECTION

P
I
M
VMS

Select a Housing Size: : J=3", K=4", L=6" _____

Select End Connection Style: G=Grooved End x Grooved End; F=Flanged End x Flanged End _____

FLOWRANGE		
Valve	PSID	MODEL NUMBER
PIMVMSJ	6-60	A
PIMVMSJ	7-60	B
PIMVMSJ	8-60	C
PIMVMSK	7-60	D
PIMVMSK	9-60	E
PIMVMSK	12-60	F
PIMVMSL	4-60	G
PIMVMSL	4.5-60	H
PIMVMSL	3-60	J

T= Optional 3" x 3" Aluminum Hanging ID Tag

Insert Actuator Model Number. If Actuator is supplied by others, insert "4" for Honeywell and "5" for Siemens, "6" for Belimo and "7" for KMC Controls. **85 in-lb actuators are required for all sizes.**