

HEAVY-DUTY IRRIGATION VALVES

MODELS 2000, 2030

List prices are for individual parts — See following pages for illustration of parts by number

DESCRIPTION	1" to 1-1/4"		1-1/2"		2" to 2-1/2"		3"	
	P/N	PRICE	P/N	PRICE	P/N	PRICE	P/N	PRICE
1. Cover Assy. 2000, 2010 (Includes items 2 through 9, 11 and 12)	3014	127.05	3017	146.10	3020	158.81	3020	158.81
1. Cover Assy. 2030, 2050 (Includes items 2 through 9, 11 and 12)	3445	190.56	3446	203.27	3447	215.97	3447	215.97
2. Cover (Includes items 3 & 10)	6612	60.84	6613	78.73	6614	102.59	6614	102.59
3. O-Ring, Cover	418	0.63	418	0.63	418	0.63	418	0.63
4. Stem, Flow Adjustment	970	10.68	971	11.44	972	12.71	972	12.71
5. Cross Handle	408	5.71	408	5.71	408	5.71	408	5.71
6. Nut, Cross Handle For Solenoid Assy., See 33 - 36	409	0.38	409	0.38	409	0.38	409	0.38
7. Solenoid Coil Only - 2030, 2050	4333-02	44.56	4333-02	44.56	4333-02	44.56	4333-02	44.56
7a. Solenoid Coil Only – 2000, 2010	4333	44.56	4333	44.56	4333	44.56	4333	44.56
7b. Solenoid Coil Only – DC Latching	4333-03	44.56	4333-03	44.56	4333-03	44.56	4333-03	44.56
8a. Armature Assy. – 2000, 2010 (For Brass Threaded Coil Only)	8283	6.99	8283	6.99	8283	7.90	8283	6.99
9. Gasket, Solenoid	446	1.28	446	1.28	446	1.28	446	1.28
10. Rubber Solenoid Seat	4313	1.31	4313	1.31	4313	1.31	4313	1.31
11. Schrader Bleed Valve 1/4" NPT	738	7.37	738	7.37	738	7.37	738	7.37
12. Screw, Solenoid Mounting	415	0.25	415	0.25	415	0.25	415	0.25
13. Diaphragm Disc Assy. – 2000, 2030	822	47.01	3062	58.44	520	79.50	6760	115.00
13. Diaphragm Disc Assy. – 2010, 2050	3301	50.81	3302	63.52	3303	82.40	6760	115.00
14. Pin Bearing	447	10.16	317	12.07	612	12.71	612	12.71
15. Upper Diaphragm Washer	335	7.00	329	4.45	606	5.09	606	5.09
15a. Upper Disc Washer	-	-	-	-	-	-	6759	55.00
16. O-Ring, Diaphragm	302	0.63	3010	0.63	7978-08	0.63	7978-08	0.63
17. Diaphragm	823	7.62	310	10.80	300	12.07	300	12.07
18. Disc Retainer	340	12.07	314	16.53	287	43.00	6756	21.60
19. Disc, Rubber Seat	345	4.45	309	4.45	299	5.71	6758	10.16
20. Disc Guide 2000, 2030	448	10.80	318	15.25	286	19.81	6754	35.57
20. Disc Guide 2010, 2050	3298	10.80	3299	15.25	3300	19.81	-	-
21. Body 1", 1-1/2", 2"	338	60.98	328	76.22	297	120.69	6744	345.00
21. Body 1-1/4", 2-1/2"	432	69.88	-	-	757	228.00	-	-
22. Pipe Plug 1", 1-1/2", 2"	434	3.17	480	5.09	479	5.71	-	-
22. Pipe Plug 1 1/4", 2 1/2", 3"	435	4.20	-	-	758	11.30	6121	15.88
23. Coupler Tube	461	3.17	481	5.10	481	5.10	481	5.10
24. Seat Assy.	496	26.50	3061	35.57	518	38.12	6761	38.12
25. High Pressure Gasket	-	-	3093	5.71	879	7.24	-	0.00
26. Metering Pin	402	9.55	322	9.55	290	9.55	290	9.55
27. Pin Spring	406	2.29	303	2.29	303	2.29	303	2.29
28. Pin Spring Cap	-	-	764	1.28	764	1.28	764	1.28
29. Spring 2000, 2010 (Cold Weather Valve)	-	-	-	-	-	-	-	-
30. Cover Spring	407	3.17	311	3.17	304	3.82	304	3.82
31. Cover Bolt	347	1.28	330	1.91	307	2.54	307	2.54
33. Complete Solenoid Assy (2000) (Incl 7A,34,35)	3357	53.36	3357	53.36	3357	53.36	3357	53.36
34. Solenoid Base Plate	770	7.20	770	7.20	770	7.20	770	7.20
35. Solenoid Adapter Ring	4513	8.90	4513	8.90	4513	8.90	4513	8.90
36. Complete Solenoid Assy. 2030 (Includes items 7, 34, 35)	3357-02	48.18	3357-02	48.18	3357-02	48.18	3357-02	48.18
37. Valve Repair Kit (Includes items 3, 16, 17, 19)	8383	35.50	8384	37.50	8385	39.00	8386	41.00
38. Valve Repair Kit (Includes items 3,14,16,17,19,26)	8387	56.25	8388	64.50	8389	62.00	8390	64.00

Replaces form F-800

This specification © 2012 Griswold Controls

Prices Effective October 3, 2011
F-800Y2803 Barranca Parkway, Irvine, CA 92606
(949) 559-6000 Fax (949) 559-6088
www.GriswoldControls.com

HEAVY-DUTY IRRIGATION VALVES

MODELS 2160, 2230, 2250, 2280, 2285 (4160, 4180, 4190, 7230, 7270, 7280)

List prices are for individual parts. — See following pages for illustration of parts by number

ITEM DESCRIPTION	1" to 1-1/4"		1-1/2"		2" to 2-1/2"		3"	
	P/N	PRICE	P/N	PRICE	P/N	PRICE	P/N	PRICE
1. Cover Assy. (Includes items 2-6)	3021	65.61	3022	82.59	3023	118.00	3023	118.00
2a. Cover (Cast iron, 2180, 2280)	870	57.26	3089	76.35	871	88.87	871	88.87
2. Cover (Brass)	3006	53.00	3007	69.19	3008	99.00	3008	99.00
3. O-Ring, Cover	418	0.63	418	0.63	418	0.63	418	0.63
4. Flow Adjustment Stem	970	10.68	971	11.44	972	12.71	972	12.71
5. Cross Handle	408	5.71	408	5.71	408	5.71	408	5.71
6. Nut, Cross Handle	409	0.38	409	0.38	409	0.38	409	0.38
7. Diaphragm Disc Assy. (Standard)	822	47.01	3062	58.44	520	79.50	6760	115.00
7a. Diaphragm Disc Assy. (Thin)	493	47.72	3102	58.45	519	73.95	6856	112.50
8. Pin Bearing	447	10.16	317	12.07	612	12.71	612	12.71
9. Upper Diaphragm Washer	335	7.00	329	4.45	606	5.09	606	5.09
9a. Upper Disc Washer	-	-	-	-	-	-	6759	55.00
10. O-Ring, Diaphragm	302	0.63	3010	0.63	7978-08	0.63	7978-08	0.63
11. Diaphragm (Standard)	823	7.62	310	10.80	300	12.07	300	12.07
11. Diaphragm (Thin)	437	7.62	3009	10.80	803	12.07	803	12.07
12. Disc Retainer	340	12.07	314	16.53	287	43.00	6756	21.60
13. Rubber Seat	345	4.45	309	4.45	299	5.71	6758	10.16
14. Disc Guide	448	10.80	318	15.25	286	19.81	6754	35.57
16. Pipe Plug 1", 1-1/2", 2"	434	3.17	480	5.09	479	5.71	6121	15.88
16. Pipe Plug 1-1/4", 2-1/2"	435	4.20	-	-	758	11.30	-	-
17. Pipe Plug (Side of Bodies)	4039-33	1.59	4039-33	1.59	4039-33	1.59	4039-33	1.70
18. Seat Assy.	496	26.50	3061	35.57	518	38.12	6761	38.12
19. High Pressure Gasket	-	-	3093	5.71	879	7.24	879	7.24
20. Metering Pin	402	9.55	322	9.55	290	9.55	290	9.55
21. Pin Spring	406	2.29	303	2.29	303	2.29	303	2.29
22. Pin Spring Cap	-	-	764	1.28	764	1.28	764	1.28
23. Cover Spring	407	3.17	311	3.17	304	3.82	304	3.82
24. Cover Bolt	347	1.28	330	1.91	307	2.54	307	2.54
25. Tube Conn., Cover	4039-18	1.91	4039-18	1.91	4039-18	1.91	4039-18	1.91
27. Coupler Tube	461	3.17	481	5.10	481	5.10	481	5.10
28. Valve Repair Kit (Items 3, 10, 11, 13)	8383	35.50	8384	37.50	8385	39.00	8386	41.00
29. Valve Repair Kit (Items 3,8,10,11,13,20)	8387	56.25	8388	64.50	8389	62.00	8390	64.00

NOTES

- See following pages for illustration of parts by number.
- Minimum Order is \$25.00 Net.
- Prices subject to change without notice.

CONDITIONS OF SALE

Terms: Net 30 days. Past due thereafter.

Shipping Points: All prices are F.O.B. Irvine, California.

Late Charge: A Monthly 1-1/2% late charge will be automatically assessed on all past due accounts, and compounded monthly.

The Maximum Annual late charge assessed to past due accounts shall be governed by the laws of the State of California.

Return of Defective Goods: Must have prior approval of Griswold Controls.

New Goods Returned For Credit: Must have prior authorization from Griswold Controls. A 20% restocking charge will be made. Credit will not be given for obsolete, Damaged, modified, shop-worn, out-of-warranty, or specialty equipment.

Delivery: Delivery estimates are made in good faith and are subject to delays due to government restrictions, failure of our suppliers to deliver, fires, strikes or other causes beyond our control. Griswold Controls is not responsible for loss due to delays or lost shipments.

Acceptance of Orders: Orders are subject to acceptance by Griswold Controls. Accepted orders are subject to all terms and conditions herein.

Changes: All products, prices, discounts, and terms are subject to change without notice.

Replaces form F-800

This specification © 2012 Griswold Controls

Prices Effective October 3, 2011
F-800Y

2803 Barranca Parkway, Irvine, CA 92606
(949) 559-6000 Fax (949) 559-6088
www.GriswoldControls.com



PARTS PRICE LIST

SERIES 2000

HEAVY-DUTY IRRIGATION VALVES

MODEL 2230

List prices are for individual parts. — See following pages for illustration of parts by number

ITEM DESCRIPTION	1" to 3"	
	P/N	PRICE
30. Flow Adjusting Stem Assy. (Refer to Product Price Lists)		
31. Elbow	4039-17	4.45
32. Pipe Plug, Brass	4039-37	5.09
33. 3-50 psi 1/4" Regulator	5958-01	152.69
33. 10-125 psi 1/4" Regulator (Standard)	6347	225.00
33. 50-175 psi 1/4" Regulator	5958-03	152.69
34. 24 Volt Solenoid normally open	2-PV-1	177.74
34. 24 Volt Solenoid normally closed	2-PV-2	152.69
34. 120 Volt Solenoid normally open	2-PV-3	177.74
34. 120 Volt Solenoid normally closed	2-PV-4	152.69
34. 120 Volt explosion proof (NC) Solenoid	2-PV-5	177.74
37. Tee	4039-19	6.35
38. Mounting Bracket	645	9.00
41. Float Rod	668	15.88
42. Float Ball	667	12.07
43. Float Pilot Assy.	637	95.43
44. Needle valve	4038-06	38.17
45. Coupling, Pipe to Pipe	4039-52	3.17
47. Schrader Valve	3029	5.09
48. Solenoid Valve (Armature Assy. Not Included)	4333-02	44.47
48a. Armature Assy. For Above	-	
53. Adjusting Screw	5959	6.35
54. Locking Nut	1118-15	0.51
55. Regular Cover	5956	33.40
56. Cover Screw	1198-49	0.63
57. Spring Retainer Jam	6561	1.40
58. Spring 3-50 PSI Range	6562-01	11.44
58. Spring 10-125 PSI Range	6562-02	11.44
58. Spring 50-175 PSI Range	6562-03	11.44
59. Regulator Repair Kit	7840	32.40
60. Adapter Fitting	6793	20.32
61. Cover Tube Conn.	4039-11	1.91
62. Complete Regulator (Surge)	8528	164.62
63. Spring	6812	3.17
64. Street Elbow	4039-03	3.82
65. Schrader Valve	7980	7.37
66. Elbow	4039-14	3.17
67. Regulator Mounting Block	8308	76.35
68. Bypass Stem Assy.	8957	31.00
69. Diaphragm Assy.	8986	17.53
70. Spring Retainer	8300	5.09
71. Spring	8267	10.16
72. 24 Volt Solenoid Assy., normally open	9099	57.14
73. O-Ring, Solenoid, Part of 72	476	0.63
74. Elbow, 1/8" NPTx1/4" Tube	4039-14	3.17
75. Mounting Plate, Solenoid	770	5.09
76. Screw, 8-32x3/8 (S.S., Phillips head)	415	0.25
77. Solenoid Adapter Ring	4513	5.71
78. Seal Ring, Solenoid Gasket	446	1.28
79. 2000 Irrigation Cover 1-1/4"	6612	60.84
79. 2000 Irrigation Cover 1-1/2"	6613	78.73
79. 2000 Irrigation Cover 2", 2-1/2", 3"	6614	102.59
80. Schrader Bleed Valve, 1/4" NPT	738	7.37

NOTES

- Minimum Order is \$25.00 Net.
- Prices subject to change without notice.

Replaces form F-800

This specification © 2012 Griswold Controls

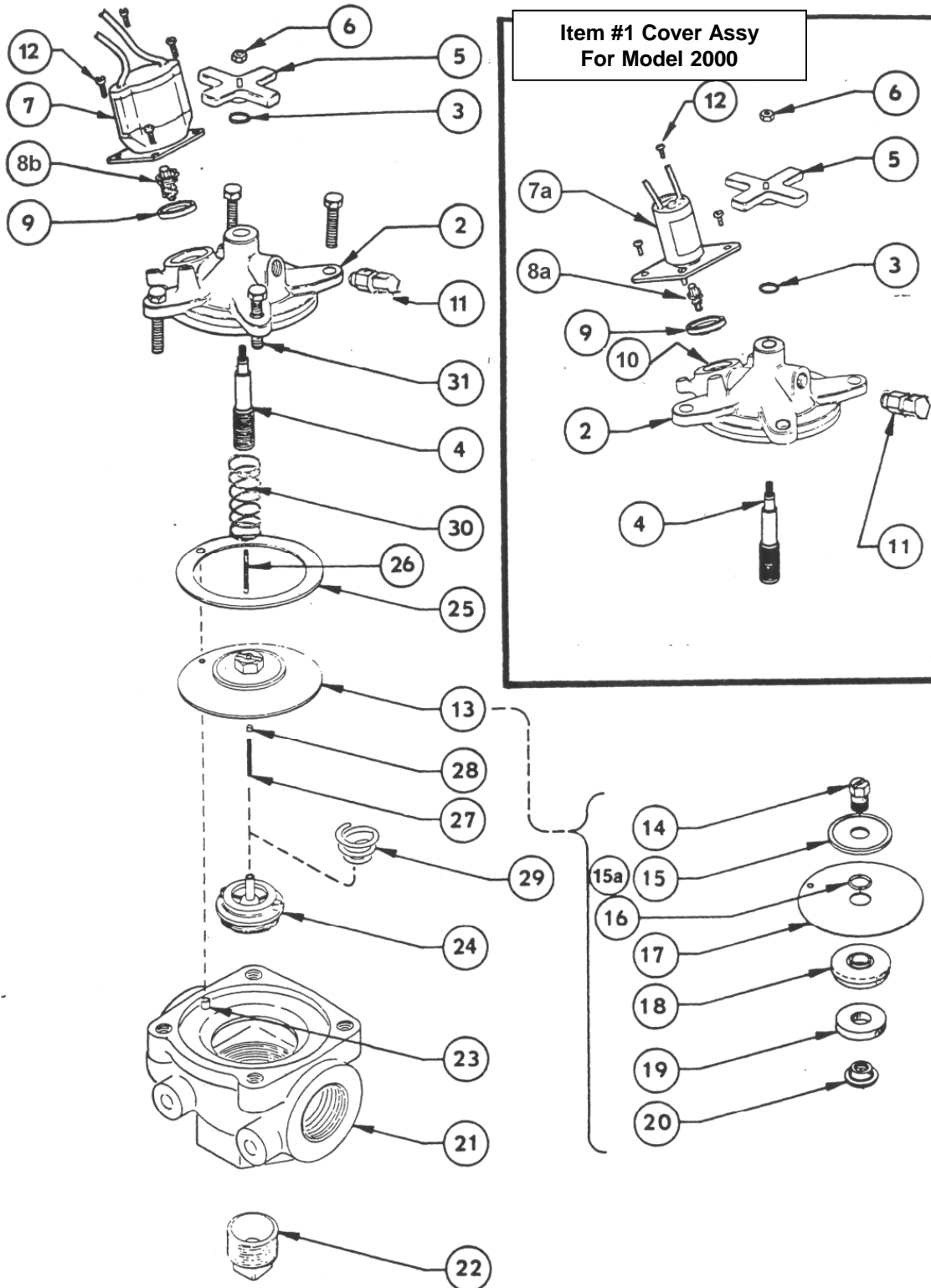
Prices Effective October 3, 2011
F-800Y

2803 Barranca Parkway, Irvine, CA 92606
(949) 559-6000 Fax (949) 559-6088
www.GriswoldControls.com



HEAVY-DUTY IRRIGATION VALVES

MODEL 2000, 2030



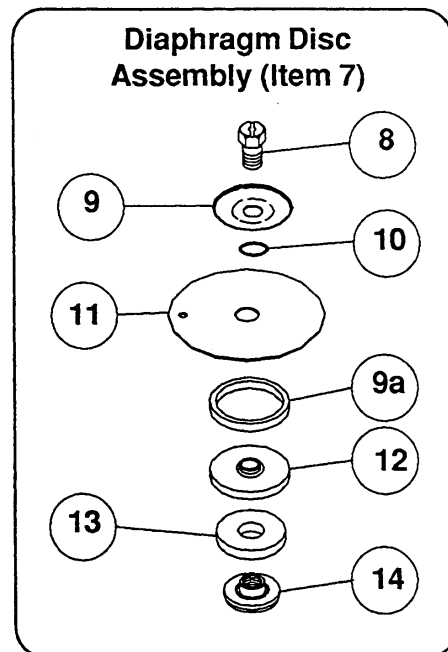
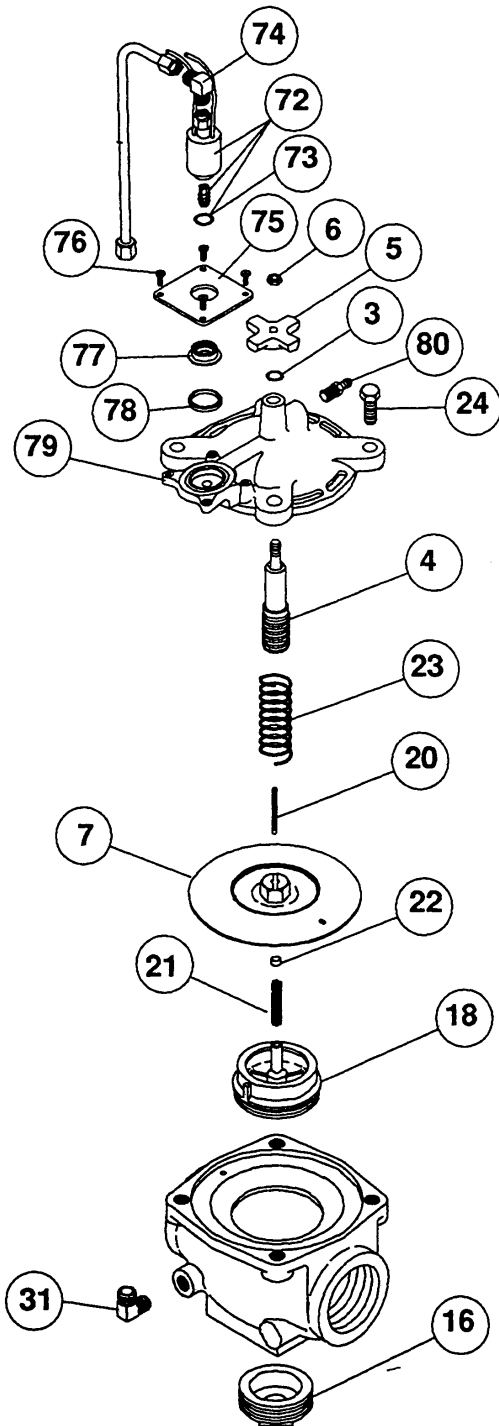
Replaces form F-800
This specification © 2012 Griswold Controls

Prices Effective October 3, 2011
F-800Y

2803 Barranca Parkway, Irvine, CA 92606
(949) 559-6000 Fax (949) 559-6088
www.GriswoldControls.com



MODEL 2160



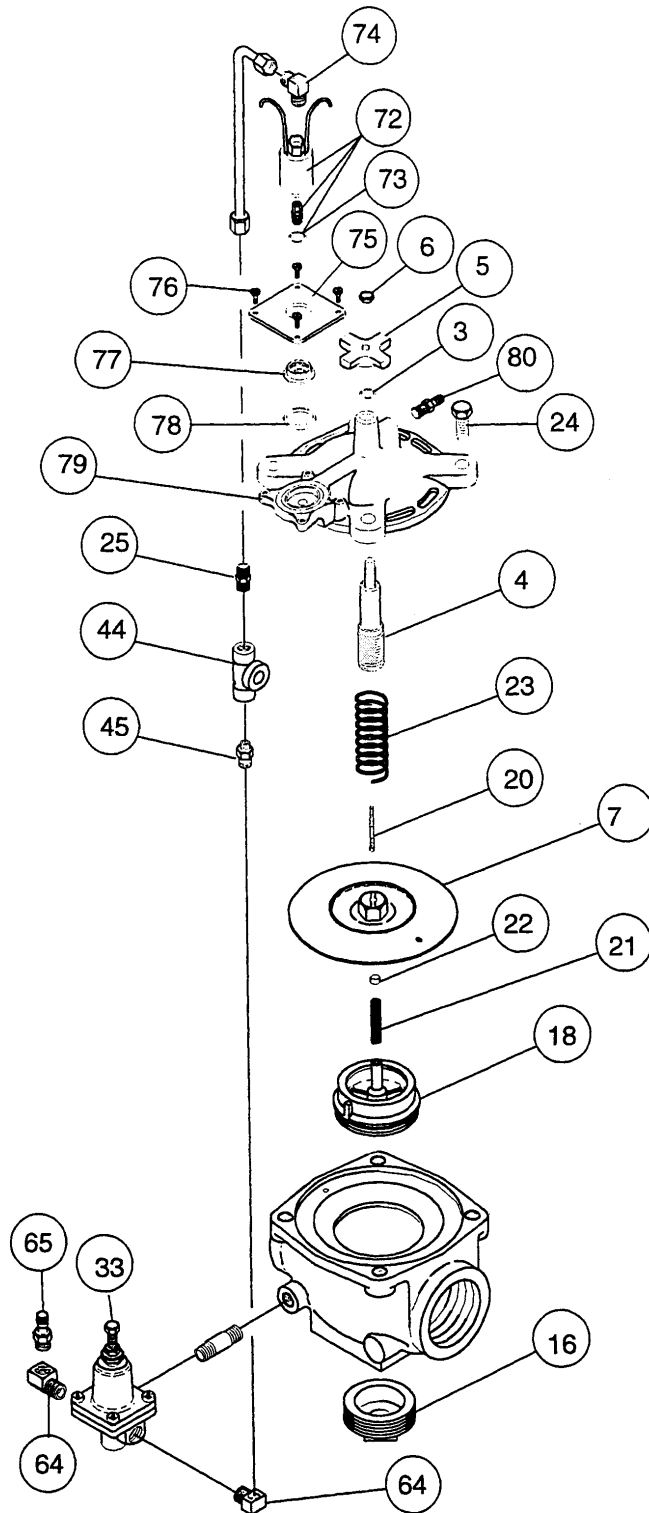
Replaces form F-800
 This specification © 2012 Griswold Controls

Prices Effective October 3, 2011
 F-800Y

2803 Barranca Parkway, Irvine, CA 92606
 (949) 559-6000 Fax (949) 559-6088
 www.GriswoldControls.com



MODEL 2260



Replaces form F-800
This specification © 2012 Griswold Controls

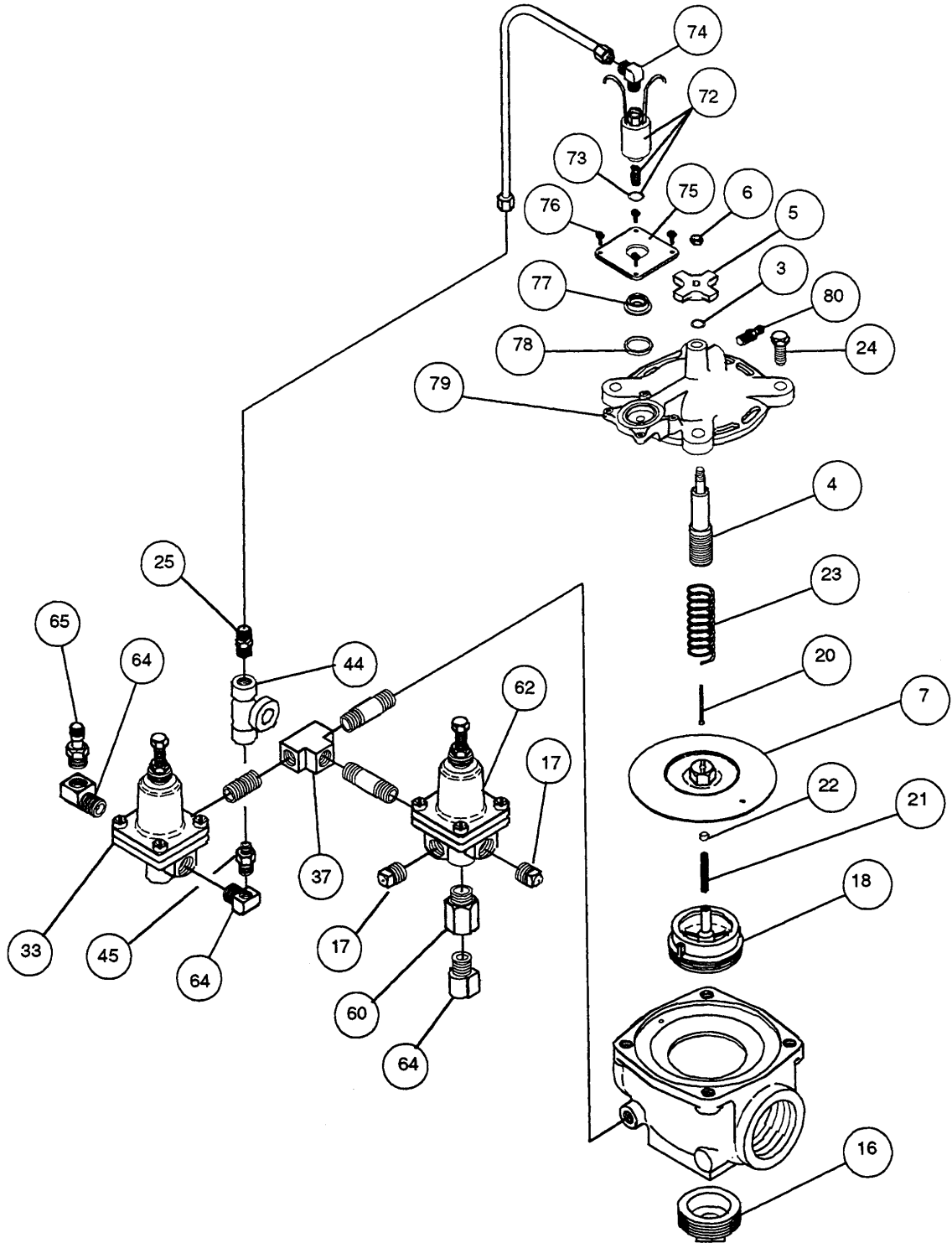
Prices Effective October 3, 2011
F-800Y

2803 Barranca Parkway, Irvine, CA 92606
(949) 559-6000 Fax (949) 559-6088
www.GriswoldControls.com



MODEL 2265

HEAVY-DUTY IRRIGATION VALVES



Replaces form F-800
This specification © 2012 Griswold Controls

Prices Effective October 3, 2011
F-800Y

2803 Barranca Parkway, Irvine, CA 92606
(949) 559-6000 Fax (949) 559-6088
www.GriswoldControls.com

