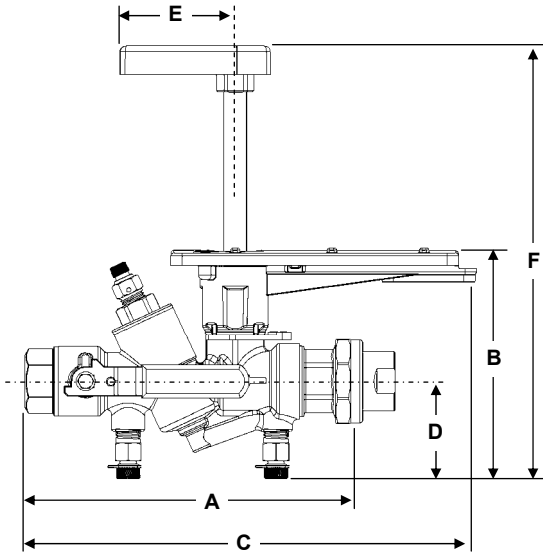


**PRESSURE INDEPENDENT CONTROL VALVE SPECIFICATIONS**



<b>Static Pressure:</b>	360 PSI
<b>Temperature Range:</b>	-22°F to 250°F
<b>Service:</b>	Chilled water, hot water, up to 50% Glycol, or contact factory for additional fluids.
<b>Flow Optimizer:</b>	Glass Filled Polymer
<b>Cartridge:</b>	Poly-oxy methaline and hydrogenated acrylonitrile-butadiene rubber
<b>Body Material:</b>	Forged Brass ASTM B584
<b>End Connections:</b>	Brass
<b>Stem:</b>	Brass
<b>Stem Seals:</b>	EPDM O-Rings
<b>Ball Valve:</b>	Nickel-Plated Brass Ball
<b>Ball Seals:</b>	Teflon Seals with EPDM O-Rings
<b>Accessories:</b>	3 P/Ts and 1 Manual Air Vent Standard

NOTE: The PIC-V is available with fixed x fixed ends or fixed x union ends. (fixed by union shown)

**DIMENSIONS & WEIGHTS (NOMINAL) (measured in inches/lbs. unless noted)**

SIZE	A: LENGTH <sup>1</sup>		UNION CONNECTION <sup>2</sup>			B HEIGHT	C LENGTH <sup>1</sup>	D HEIGHT	E HANDLE	F HEIGHT	DEPTH (NOT SHOWN)	WEIGHT
	Fixed x Fixed	Fixed x Union	FNPT	MNPT	SWT							
1/2"	6.7	7.9	1.0	1.0	0.7	5.3	9.6	2.5	2.5	9.9	4.1	3.3
3/4"	6.7	7.9	1.0	1.0	0.9		9.6					
1"	6.9	8.0	N/A <sup>3</sup>	1.4	1.3		9.7					
1"L	10.4	10.6	1.7	1.7	1.7	6.0	12.3	2.7	2.5	10.7	5.0	7.8
1-1/4"	9.8	10.3	1.7	1.7	1.7		12.0					
1-1/2"	9.6	10.2	1.7	1.7	1.4		11.9					
1-1/2"L	11.9	12.6	1.6	1.6	1.7	7.1	14.0	3.5	2.5	11.8	6.0	15.2
2"	11.8	12.5	N/A <sup>3</sup>	1.6	1.6		13.9					
2-1/2"	12.8	N/A	N/A	N/A	N/A		14.0					
3"	13.0	N/A	N/A	N/A	N/A	6.6	14.3	3.1	2.5	11.4	5.0	16.0

**HIGH LIMIT FLOW RATES (+/-5%)**

To correctly size your valve, select a high limit flow rate that is equal to or greater than the required flow rate.

SIZE	MODEL NO.	PSID RANGE	HEAD LOSS IN FEET <sup>4</sup>	CLOSE-OFF PSID	GPM
1/2", 3/4", 1"	PIC03	5.8-60	13.4	100	0.5, 1.0, 1.5, 2.5, 3.5, 4.5, 5.5, 6.5, 7.5
1"L, 1-1/4", 1-1/2"	PIC12	2.9-60	6.7	100	10, 15, 20, 25
1-1/2"L, 2", 2-1/2", 3"	PIC22	2.9-60	6.7	100	25, 30, 35, 40, 45, 50, 55, 60, 65, 70, 75, 80, 85, 95

**NOTES:**

- <sup>1</sup> Length measured with fixed end FNPT; SWT end connection may be longer.
- <sup>2</sup> For overall length, add union connection length to Fixed x Union body length.
- <sup>3</sup> Tailpiece is not available for this size. Male tailpiece used with coupling.
- <sup>4</sup> Head loss in feet is required for pump head calculations. (1 PSI = 2.307 feet of water).

Replaces form F-4477H

This specification © 2009 Griswold Controls

2803 Barranca Parkway, Irvine, CA 92606  
 (949) 559-6000 Fax (949) 559-6088  
 www.GriswoldControls.com



MODEL NUMBER SELECTION

P      I      C

Select a Housing Size: 0=1/2"-1",  
1=1"L-1-1/2", 2=1-1/2"L-3"

Select a PSID control range: 2=2.9-60, 3=5.8-60

Valve	FIXED END OR UNION END <sup>5</sup>		UNION END ONLY <sup>5</sup>
	Female Threaded	Female Sweat	Male Threaded
PIC0	1/2"=E, 3/4"=F, 1"=G <sup>6</sup>	3/8"=K <sup>7</sup> , 1/2"=L, 3/4"=M, 1"=N	1/2"=H, 3/4"=I, 1"=J
PIC1	1"=G, 1-1/4"=P, 1-1/2"=Q	1"=N, 1-1/4"=K, 1-1/2"=W	1/2"=H, 3/4"=I, 1"=J, 1-1/4"=S, 1-1/2"=T
PIC2	1-1/4"=P <sup>7</sup> , 1-1/2"=Q, 2"=R <sup>8</sup> , 2-1/2"=S <sup>8</sup> , 3"=T	1-1/4"=K <sup>7</sup> , 1-1/2"=W <sup>9</sup> , 2"=Y	1"=J, 1-1/4"=S, 1-1/2"=T, 2"=U

**For fixed end by fixed end fill in 2<sup>nd</sup> digit with an "X"**

**SELECT GPM (ENTER FLOW IN THIS DIGIT)**

Housing Size	PSID Range	Flows
PIC0	5.8-60	0.5, 1.0, 1.5, 2.5, 3.5, 4.5, 5.5, 6.5, 7.5
PIC1	2.9-60	10, 15, 20, 25
PIC2	2.9-60	25, 30, 35, 40, 45, 50, 55, 60, 65, 70, 75, 80, 85, 95

T= Optional  
3" x 3"  
Aluminum  
Hanging ID Tag

Insert Actuator Model Number. If Actuator is supplied by others, insert "1" for Nepronic, "2" for Johnson Controls, "3" for Invensys, "4" for Honeywell, "5" for Siemens, "6" for Belimo, "7" for KMC Controls, "8" for ELODrive

ACTUATOR MODEL NUMBER SELECTION

Griswold Controls Private Label	GCDE131.1P	GCDE161.1P	GCMA121.1P	GCMA131.1P	GCMA161.1P
Torque of 44 in-lb	•	•			
Torque of 62 in-lb			•	•	•
Control Signal: On/Off			•		
Control Signal: 3 Point	•				
Control Signal: Modulating 0-10 VDC		•		•	•
Speed	90 sec	90 sec	90 sec	90 sec	90 sec
Fail Safe (Spring Return)			•	•	•
Operating Power	3.3 VA	3.3 VA	5 VA	5 VA	5 VA
Weight	1.1 pounds	1.1 pounds	3.0 pounds	3.0 pounds	3.0 pounds
Wiring Diagram	<p>Where 6 is CW and 7 is CCW</p>				

ADDITIONAL COMPATIBLE ACTUATORS:

- Belimo: LM24, LM24S, LF24, LF24S, LF120, LF120S, LF24-3, LF24-3S, LM24SR, LF24SR, LF24SRS
- ELODrive: BN-44C1U, BNP-44C1U, BS-26F1U, BSP-26F1U, BN-44P1U, BNP-44P1U, BS-26P1U, BSP-26P1
- Honeywell: ML6161D2006, ML6174D2009, ML7161A2008, ML7174A2001, ML6185A1000, ML6185C1008, ML8185A1008, ML8185C1006, ML7285A1007, ML7285C1005
- Johnson Controls: M9106-AGA2, M9106-AGC2, M9106-GGA2, M9106-GGC2, M9206-AGA2, M9206-AGC2, M9206-GGA2, M9206-GGC2
- KMC Controls: MEP-5072, MEP-5073, MEP-5372, MEP-5373
- Nepronic: BBT-24, BBT-1000, BBT-1060, BBT-1021, BBT-1080, BBTHV-1100, BBTHV-1160, BBTHV-1120, BBTHV-1180, BBM2000A, BBM2060A
- Siemens: GDE131.1P, GDE161.1P, GDE136.1P, GDE166.1P, GMA121.1P, GMA161.1P
- TAC: MF40-6083, MA40-7043, MA40-7043-501, MA40-7040, MA40-7040-501, MF40-7043, MF40-7043-501, MS40-7043, MS40-7043-501

NOTES:

- <sup>5</sup> Select the fixed end first and the union end second.
- <sup>6</sup> Tailpiece not available for this size. Male tailpiece used with coupling.
- <sup>7</sup> Fixed end not available for this size. Union tailpiece only. A fixed end with sweat adapter can be used as a substitute.
- <sup>8</sup> 2-1/2" and 3" is available only with fixed ends.
- <sup>9</sup> Sweat Fixed end not available for this size. A fixed end with sweat adapter can be used as a substitute.

Replaces form F-4477H

This specification © 2009 Griswold Controls

2803 Barranca Parkway, Irvine, CA 92606  
(949) 559-6000 Fax (949) 559-6088  
www.GriswoldControls.com

